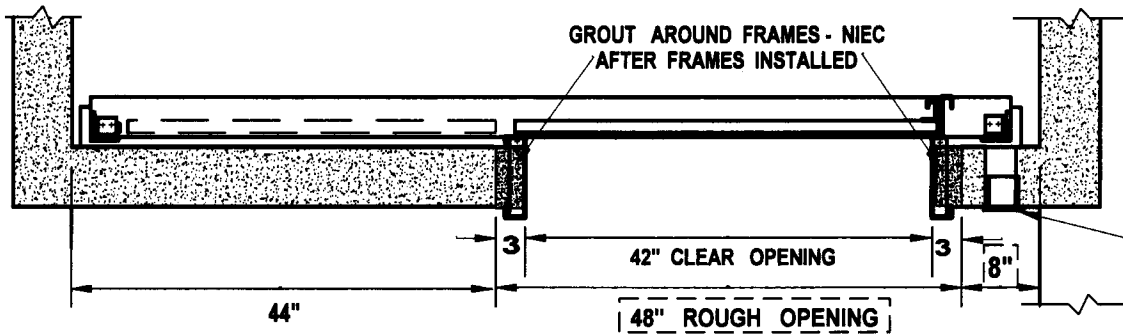


U.L. LABELED DOORS & FRAMES
FRAMES MUST BE INSTALLED BEFORE
WALL STUDS & DRYWALL
DRY WALL MUST FIT IN TO POCKET.
SEE DETAIL WALL JAMB INTERFACE

**PLAN VIEW OF HOISTWAY
UPPER FLOORS**

PUSH BUTTON C/L 42" ABOVE FLOOR
box 3" w by 8" typical



PLAN VIEW OF BLOCK/CONCRETE ENTRANCE
3500 LB CAP - ADA & AMBULANCE GURNEY SIZE
(Right hand doors shown - left hand opposite)
EXAMPLE ONLY NOT FOR CONSTRUCTION

PUSH BUTTON
C/L 42" ABOVE FLOOR
GAR. BLOCKOUT
3" w BY 12" h
N.I.E.C.

DELTA ELEVATOR CO - 562/944-2041